

TECHNICAL DATA SHEET



KRASO® Sealing Insert Universal DD/M

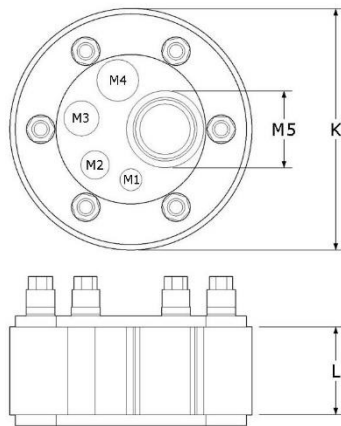
Product image



Product information

Item	KRASO® Uni 100 DD/M
Pressure tightness (bar)	3
Weight (kg)	0,7
Item No.	KDIUNIM100

Technical drawing



Dimensions

K	Core drilling (mm)	100
M1	Media line (mm)	1 x 8 – 10
M2	Media line (mm)	1 x 11 – 13
M3	Media line (mm)	1 x 14 – 16
M4	Media line (mm)	1 x 17 – 19
M5	Media line (mm)	1 x 20 – 23
		or 24 – 27
		or 28 – 30
		or 31 – 35
L	Seal (mm)	40
Bolts / nuts (pcs.)		4

Application area

Design for simultaneous installation of several cables or pipes, double sealing against pressing water. Can also be used as blind plug.

Material

Clamping plates	Non-corrosive stainless steel V2A
Bolts	Non-corrosive stainless steel V2A
Washers	Non-corrosive stainless steel V2A
DKM	Polyamide
Seal	EPDM 50°+/-5° Shore

Tests

MPA	yes
DVGW	yes

[Download Test Certificates](#)

Resistances

Drinking water (KTW-recommendation)	no
Heat	up to 90 °C
Slurry	no